



# the RARRA RAG

Published by  
**ROCHESTER AMATEUR RADIO ASSOCIATION, INC.**

VOL. 44

FEBRUARY 1992

NO. 6

## FEBRUARY 7th MEETING

by Lloyd R. Caves, WB2EFU

The February meeting of RaRa will be a joint meeting with the Kodak Park Amateur Radio Club. This meeting will be held at the Kodak Park auditorium on West Ridge Road. You will be able to park directly across the street in the Kodak parking lot.

The speaker at this meeting will be Sherwood Leung, Assistant Division Engineer of Communications, for Conrail. Sherwood will be coming from the Albany/Schenectady area to give a presentation on the communications and systems used by Conrail to keep the rail system moving and on schedule. This should be very interesting as many advances have taken place over the years.

After the meeting members of both clubs will be served refreshments complements of the Kodak Park Amateur Radio Club. This is a good time to get together with old friends that you may not have seen for a while.

## RARRA CODE AND THEORY CLASSES

RARRA is pleased to announce the formation of its spring 1992 code and theory classes our 35th year of teaching. Classes will be offered for Novice and Technician. In addition, General and/or Advanced may be offered based on demand. If you are interested in either the General or Advanced classes, please let us know ahead of time by calling the RARRA phone number, 442-0587 day or night and leave a message with your name and which class you are interested in.

The classes will begin on Monday, February 17th and end on May 11, 1992 and will start at 7:30 p.m. and run approximately 2 hours. Registration will begin on the first evening, February 17, starting at 7:00 p.m. The total cost for the entire 12 week program including registration and all text materials is \$14 for Novice and Technician and \$10 for General and/or Advanced. If you are not a current member of RARRA, please add \$6 if you are unlicensed, or \$10 if you are currently licensed to the above figures. This will cover your membership in RARRA.

## FEBRUARY 7th MEETING

**JOINT CLUB MEETING WITH  
KODAK PARK AMATEUR RADIO CLUB**

**Kodak Park Auditorium  
West Ridge Road**

## FUN IN THE SNOW!!!!

It's time to play in the snow! Saturday, February 8, 1992 is the date for the annual RaRa Winter Funfest at Mendon Ponds Park. It all starts at 12:00 noon and continues until ... New location, CAVALRY HOUSE LODGE has been reserved for the day.

In addition to hots, hamburgs, home made chicken soup, and chili, there will be snacks (peanuts, chips, etc.) available.

The usual contest to determine the best dessert made by a YL (or OM) will be held, so dust off your cookbook and bring your favorite gourmet dessert! Prizes will be awarded for the tastiest entry.

Now how to get there from the west side of the county; follow Clover Street (Route 65) to the south entrance of the park (Pond Road) ... follow Pond Road and turn at the first left onto Douglas Road. Douglas Road makes a sharp left bend nearby ... Cavalry House Lodge will be on the right side after the bend. From the east side, use Pittsford Mendon Center Road and use the south entrance of the park (Pond Road) ... follow Pond Road and turn at the first right onto Douglas Road. Douglas Road makes a sharp left bend nearby ... Cavalry House Lodge will be on the right side after the bend (see map on rear cover). If all else fails, try the talk-in on 52/52 or the 28/88 repeater. There are signs at all the park entrances directing you to the lodge.

There is a charge of \$2.00 per person with a max of \$5.00 per family. See you all there to partake of Gos's chicken soup and Dave's chili and a chance to sample the gourmet desserts entered in the contest.

# the **RARa RAG**

Published by  
**ROCHESTER AMATEUR RADIO ASSOCIATION, INC.**  
P.O. Box 93333, Rochester, NY 14692-8333

**Editor** ..... **Neal Eckhardt, WB2EKP**  
80 Authors Avenue, Henrietta, NY 14467 (716-359-2672)

**Managing Editor** ..... **Dick Goslee, K2VCZ**  
24 Elaine Drive, Rochester, NY 14623 (716-334-1762)

**Advertising Manager** ..... **Dick Goslee, K2VCZ**  
24 Elaine Drive, Rochester, NY 14623 (716-334-1762)

VOL. 44 FEBRUARY 1992 NO. 6

## OFFICERS:

President: Peter Secrist, WB2SUN 265-2028  
Vice-President: Lloyd R. Caves, WB2EFU 671-7079  
Secretary: Robert J. Hobday, N2EVG 624-3368  
Treasurer: Richard A. Goslee, K2VCZ 334-1762

## BOARD OF DIRECTORS:

Neal I. Eckhardt, WB2EKP 359-2672  
Keith F. Freeberg, Jr, N2BEL 458-8246  
Irwin J. Goodman, AF2K 671-4430  
Roger C. Harnaart, WB2BWQ 292-6665  
Edwin J. Holdsworth, N2EH 624-1929  
David J. Minchella, KE2GE 359-3337  
George A. Muller, WA2IEO 381-6151

Club Historian: Bruce Kelley, W2ICE  
Public Service Coordinator: Edwin Holdsworth, N2EH  
License Testing Director: Bob Fortman, WE2T  
Membership Chairman: Keith Freeberg, N2BEL  
Licensing Course Director  
Hamfest General Chairman: Harold Smith, K2HC  
K2JD Engraving Director: Robert Lauzon, K2RL

The RaRa RAG (USPA 605-440) is published monthly except July and August by the Rochester Amateur Radio Association, Inc., 24 Elaine Drive, Rochester, New York 14623. Subscription is \$5.00 per year (included in the \$10.00 annual membership dues). Second class postage paid in Rochester, NY. POSTMASTER - Send address changes to The RaRa Rag, P.O. Box 93333, Rochester, New York 14692-8333.

Full permission is granted for reprinting articles provided a credit line is given to the RaRa Rag. The Rag exchanges with other organizations' publications.



Amateur Radio News Service

## 1992 ATLANTIC DIVISION HAMFESTS

- Jan 18 Skyline Winter Hamfest -  
Marathon, NY
- Jan 26 Columbia AARC Winter Fare -  
Columbia, PA
- Feb 29 C-Cars Winter Hamfest -  
Camp Hill, PA
- Feb 29 Appalachian ARG Hamfest -  
Lebanon, PA
- Mar 1 York Springfest - Dover, PA
- Mar 7 Shore Points ARC -  
Egg Harbor City, NJ
- Mar 22 DVRA - West Windsor, NJ
- Mar 28-29 Baltimore ARC - Timonium, MD
- Mar 29 Two Rivers ARC - Monroeville, PA
- Apr 12 PEN-DEL ARC - New Castle, DE
- May 17 Warminster ARC - Wrightstown,  
May 15-17 Atlantic Div Conv/Rochester Ham-  
fest - Rochester, NY
- Jun 7 Tamaqua Trans Soc - Tamaqua, PA
- Jun 7 Breezeshooters - Butler, PA
- Jul 12 Genesee RA - Alexander, NY
- Jul 26 BRATS - Timonium, MD
- Aug 9 Mid-Atlantic ARC - Warrington, PA
- Aug 15 Finger Lakes - Ithaca, NY
- Aug 20-23 ARRL National Convention -  
Los Angeles, CA
- Sep 13 Butler Co. ARA - Butler, PA
- Sep 13 Foundation for Amateur Radio -  
Gaithersburg, MD
- Sep 19 Buffalo Hamfest - Hamburg, NY  
*Tnx K2MP/W3ABC*

**FOR SALE** - Kenwood TH-21BT, 2 Meter Handheld, Excellent Condition with original manual, battery charger, and sub audible tone encoder - \$100. Also have extra PB-21 and PB-21H batteries, PB-21H charger, and Speaker Microphone. Call Joe Hood, K2YA, at 865-9092 after 6 p.m.

### **Patrick C. Moyer, N2AIW** *Attorney & Counselor-at-Law*

General Legal Services  
ARRL Volunteer Counsel Participant  
AOPA Legal Plan  
Masters Degree in City Planning

**Day and Evening Hours**  
**(716) 427-9907**

2128 W. Jefferson Rd. • Pittsford, NY 14534

Advertisement

## SOMETHING TO THINK ABOUT

by Pete Secrist, WB2SUN

At the January meeting there was one of those now too rare happenings. It was the passing of a radio from a ham who has retired to a young novice. This was common when I started in Ham radio about 35 years ago, but I had not seen it happen again until the last RaRa meeting.

For those of us who started when we were teenagers and still are with the hobby we should look back and say thanks for all the help we received getting started. I know that the spirit is still alive to do something for the upcoming Novices joining our ranks.

As we older, but not retired, hams reflect on how we got our first rig we should also think how great it would be to see the look on a young ham's face and get his start the same way we did.

Why not continue this not forgotten trend and look in your shack perhaps there is a rig that you do not use that someone would need. If you do why not contact any club officer and you can continue this trend.

Think about it.

### Pilots have a better Approach!



Find yourself looking at airplanes, wondering what it would be like to fly?

For only \$25 you can find out.  
Introductory lesson.  
You actually get to fly the airplane.

For Information on the \$25  
lesson or Scenic Flights  
call Kurt, K3KH,  
at 426-7701

Advertisement

## FEBRUARY CALENDAR

- 7 - RaRa Meeting - 8:00 p.m.  
Kodak Park Recreation Building 28,  
West Ridge Road
  - 8 - RaRa Winter Funfest (see article)
  - 14 - VHF Group - 7:30 p.m. - 111 Westfall Rd.
  - 15 - RaRa VE Testing - 8:30 a.m.  
111 Westfall Road
  - 21 - RRRRA Meeting - Pittsford Town Hall
- Check with clubs to verify time and place of meeting.*

---

FOR SALE - Hustler Vertical, 10 - 80 meters coax, guy lines, radials, mast. New, used very little - \$90.00. Call 265-4811 - Jack, KB2FXD.

### DATA ENTRY SERVICES

- Telex and Broadcast Fax service for your business. Avoid costly recurring charges.
- Mailing Lists and Labels printed and sorted to exact Postal Service requirements - includes completed mailing statement forms and bag tags.
- Automatic Label Affixing to save you and your organization hours of time consuming work.
- Data Base Maintenance to keep your mailing lists and other important data current. Off line or real-time entry.

Com Center is owned and operated by  
**Harold Smith, K2HC**

**Com Center**  
**300 White Spruce Blvd**  
**Rochester, NY 14623**  
Phone **716-424-1100**  
Fax **716-424-7130**

We are the BEST at what we do. Our work is TAILORED to meet your exact needs.

## RaRa SPOTLIGHT

by I. J. Goodman, AF2K

*(First of a series of occasional articles profiling personalities in the local amateur radio community. Suggestons for candidates welcomed.)*

A native of Kenmore, NY, Donald A. Ray, WA2PKS, is best known in the local ham radio circles as the modest printer of our professional-looking *RaRa RAG*. Don served in the U.S. Army from 1942 to 1945 with the 31st Infantry Division in the Pacific theater. He re-located to Rochester in 1948, immediately after graduating from RIT's Department of Publishing & Printing. In 1983, Don retired after 34 years in the Graphic Arts Research Lab at Kodak Park.

Don and his wife of 44 years, Joyce, have one son, one daughter and five grandchildren. Joyce has been performing just about all of the typesetting chores since Don began printing the *RAG* in 1961. Over the past 30 years, Don estimates 600,000 sheets, or approximately 9,000 lbs. of paper have been consumed producing this publication. Since 1962, he has also been responsible for printing the large quantities of flyers and programs for the annual Rochester Hamfest, plus most of the Hamfest and Flea Market colorful tickets and permits.

Despite the many production obstacles a printer is faced with in providing a quality product--and in a timely manner, Don has never failed to deliver on schedule. This dedication even prompted him to invest in a gasoline generator during the power outage of last March's ice storm, in order to meet a commitment to the club.

A tip of the hat and a fond word of gratitude to our *RAG* printer, with a sincere wish for continued good health in years to come.

**FOR SALE** - Heathkit HW-16 xcvr, HG-108 VFO, SB-303 rcvr, SB-401 xmtr, Ameco TX-62 xmtr, VFO-621, 2m & 6m rcv converters w/pwr supp. John, WA2UTG, 223-2981.

BIMINI TOPS DODGERS

**VORNRAN MARINE CANVAS**  
at Fabric City



*Our Boat Covers Are Tops.*

1800 N. Clinton Ave., Rochester, NY 14621  
**(716) 266-6440**

UPHOLSTERY DRAPERIES

Chuck Vornran  
WB2OZS

Advertisement

## THE RaRa RAG YEARS AGO

by Ed Gable, K2MP

**20 YEARS AGO - FEBRUARY 1972:** Within this copy was announced the February meeting to be a joint meeting with the Kodak Park Radio Club in their building 28 recreation hall. The program was a film on NASA's Apollo Global Communications network. Local VHF enthusiast Chet Owlett, K2OPC, was listed as a SK. (Those of us who remember Chet will recall he had the lowest frequency voice ever to successfully modulate a transmitter - Ed) With repeaters becoming more popular, there being two in the greater Monroe County area now, it was important to gain recognition in the Western NY and Ontario Repeater Council. Russ Schroeder, W2DYY, and Gary Greene, WB2KVC, attended representing the RRRRA. There were two full page letters to the editor taking up way too much room on silly issues. You could buy a used Collins 75A4 for \$375.00 from Adirondack's half page ad. This is about the same price for one today. Not bad for 20 years later.

**40 YEARS AGO - FEBRUARY 1952:** Lots of news concerning the success of SSB over AM in working DX. Local DXer's getting on SSB are W2EB, W2UTH, W2BZN, W2AFQ, W2TTQ and W2QCF. RaRa news bulletins were read over the air by W2ICE on 3900 Kc and on 144.13 Mcs by W2ZHB. RaRa's General Railway Truck was used for the first time in a city communications drill. Participating were: W2's DYD, QYT, OWF, ZZS, TEX, NES, VVG, ZHB, SNI. The VHF Group announced record contest participation with 30 logs submitted. Local winner was W2UTH with 70 contacts and 4 sections. Beaucaire Inc., on Monroe Avenue, offered Philco radios in their long running ad.

### M. ORNSTEIN

WB2YYB

**CONTRACTING**

**(716) 334-3258**

**Roofing**

Gutter Cleaning

Residential & Commercial	Free Estimates
Attic Ventilation	Seamless Gutters

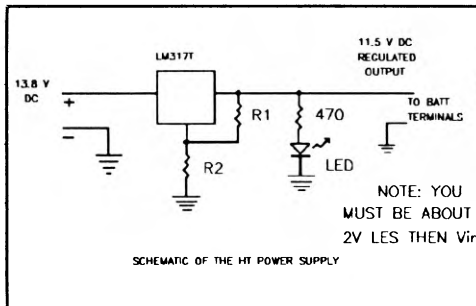
# BUILD THIS DX POWER SUPPLY FOR YOUR HT

by Mark Forbes, KC9C

There are no doubt times when you, like me, need to use your HT at home or in the car for long periods of time but don't want to exhaust your batteries. The manufacturers make adapters to plug into 12vdc, but the prices aren't exactly bargains! There's another way to do it, and not only will you save a few dollars, but you'll have fun building the circuit too.

Most of the HT manufacturers make alkaline battery cases, which are nothing more than empty battery cases that fit your radio. If you have an older HT and can't get an empty battery case, you may be able to buy (or already have) a battery that just won't hold a charge anymore. In this case, remove the dead nicads and you have the empty case.

The circuit is extremely simple, and all the parts can be bought at Radio Shack. An integrated voltage regulator is used to provide a constant source of dc voltage for the radio. As a convenience, an LED is included so you can see when the circuit is plugged in. To connect to 12 volts (which is actually 13.8 volts in your car or from a "12 volt" power supply) you can use a pigtail or a miniature phone jack.



The schematic is shown in the figure. The LM317T IC is an adjustable voltage regulator. The output voltage is set by the values of R1 and R2. This particular is set for about 11.5 volts, which will allow Yaesu and similar HTs to deliver about 5w. If you want to set a different output voltage, use 330 ohms for R1 and solve this equation:  $R2 = (V_{out}/1.25 - 1) \times 330$ . For example, to get 7.2 vdc out:  $R2 = (7.2/1.25 - 1) \times 330 = 1571$ .

So, use the standard value of 1500 ohms for R2, and you'll be all set. I built the circuit on a piece of experimenter board, also from Radio Shack. When finished, the circuit board was about 1-inch square. This easily fits into even the small battery cases for the FT-470. To complete the job, I drilled a small hole for the LED and glued the circuit

board into the case so that the LED could be seen through the hole. Then, I drilled another hole and installed a miniature phone connector to bring in the unregulated power.

Now, when I want to use my handheld at home for long periods of time, or if I want to use it in the car (or a rental when on a trip), I don't have to worry about running the batteries down.

*SFARC via Ham News Outlet*

## Burglar Alarm Systems

For Your Home and Business

**Martin Ippolito**

**N2HEG**

*Master Electrician*

**(716) 266-6337**

Advertisement

## SNYDER AND SNYDER Attorneys at Law

Accidental Injuries  
Wills & Estates  
Social Security Disability  
Real Estate  
Divorce  
Adoptions  
Dangerous Products  
Business Law

No Fee For Consultation

*Paul I. Snyder*

*Jeanette F. Snyder*

*Sherwood M. Snyder, W2KFU*

**(716) 546-7258**

183 E. Main St.

Suite 1024

Rochester, NY 14604-1681

# LEAGUE: FCC 'MISSING THE ISSUE' IN SCANNER LAWS

The FCC has "missed the basic issue" in its inquiry into local laws regulating radio receivers, the League has said. On June 7, the ARRL replied to an FCC Notice of Inquiry, released last February, in which the Commission sought more information regarding local "scanner laws" (see *QST* for May, p. 59, and June, p. 61).

In its NOI (in PR Docket 91-36) the FCC – responding to the League's request for a declaratory ruling – asked questions about conforming Amateur Radio equipment to meet a handful of local and state laws that prohibit operation of radio equipment in automobiles and trucks.

The League had sought to protect amateurs' freedom to own and to operate from their vehicles radios which could be tuned to frequencies other than the amateur bands.

In the extant reply, the League reiterated this objective, noting the federal law should preempt any municipality or state government from the regulation of radio receivers.

The League once again notes the "prototypically overboard" New Jersey statute that makes it a misdemeanor to operate from an automobile any radio receiver capable of listening on fire, police, municipal, or other "governmental" frequencies – unless the user obtains a permit from a government official.

The reply also notes that an amateur commits a misdemeanor merely by carrying an HF transceiver through New Jersey in the trunk of his car.

The League now tells the Commission it believes such laws are in conflict with Federal jurisdiction over radio communication and asks FCC to declare them so.

Since only a few such laws currently exist, therefore "there is no basis whatsoever" for consideration of modifying or "type-accepting" amateur equipment to conform to such laws, a possibility that is suggested by the issuance of the FCC Notice of Inquiry.

The Tandy Corporation has supported the League's position, in comments filed with the FCC on June 7. Tandy in addition "urges the Commission to preempt such state statutes and local ordinances as they affect not only amateur transceivers but also all other types of radio equipment, including marine transceivers, scanners, and other mobile equipment".

Tandy agreed with the League that the Commission's questions concerning the possibility of modifying or "type accepting" all equipment in

order to meet the occasional local law "serve no useful purpose because (federal) preemption will moot the need for any such information".

On a related note, in Israel in order to legally purchase a VHF/UHF scanner radio the Ministry of Communications requires the applicant either have journalist's credentials or *be a member of the Israel Amateur Radio Club*, according to the publication HaGAL. *Tnx ARRL Letter*

## K2JD "SPECIAL EVENT" REPORT

by I. J. Goodman, AF2K

The weekend of December 21st - 22nd found 11 RaRa members manning the K2JD club station facility. The occasion was the pre-announced activity commemorating 60 years of RaRa's affiliation with the American Radio Relay League.

During the approximate 21 hours of on-air activity, 43 states and five countries were worked, the furthest DX being Tahiti, French Polynesia. There were 321 HF contacts and approximately 15 logged on Packet. Breakdown by bands: 80 meters/2 QSO's, 40 meters/57 QSO's, 20/142, 15/7, 10/113 and 2/17.

Sincere thanks to the following operators and assistants who provided their pre-holiday time and energy helping to make the weekend a success: Roger Harnaart, WB2BWQ; Jay Bernheisel, KB2CHZ; Dave Bernheisel, N2DPF; Neal Eckhardt, WB2EKP; Bob Hobday, N2EVG; Dave Minchella, KE2GE; Dave Payne, KA2J; Irv Goodman, AF2K; Chet Albrecht, WB2MDO; Ed Gable, K2MP; and Ruth Harnaart, N2MXN.

For QSL information, refer to December *Rag* or *QST*.

ESTATE SALE: Kenwood TM-221A 2 meter XCVR; AEA "Computer Patch" CP-1 Interface; TTY/PKT Data Switch Box; KPC-2 Kantronics Communicator II; Lafayette 99-50841 VOM. Contact Irv Goodman, AF2K, at 671-4430 for details and prices.

☆☆☆☆☆☆☆☆☆☆☆☆☆☆☆☆☆☆☆☆☆☆☆☆☆☆☆☆☆☆

☆ **"WANTED" OLD RADIOS** ☆

☆ AM BROADCAST, TABLE TOP ☆

☆ VINTAGE 1940 TO 1950 ☆

☆ WA2ZNC "LEN" ☆

☆ 716-229-5470 ☆

☆ 122 W. Lake Road, Honeoye, NY 14471 ☆

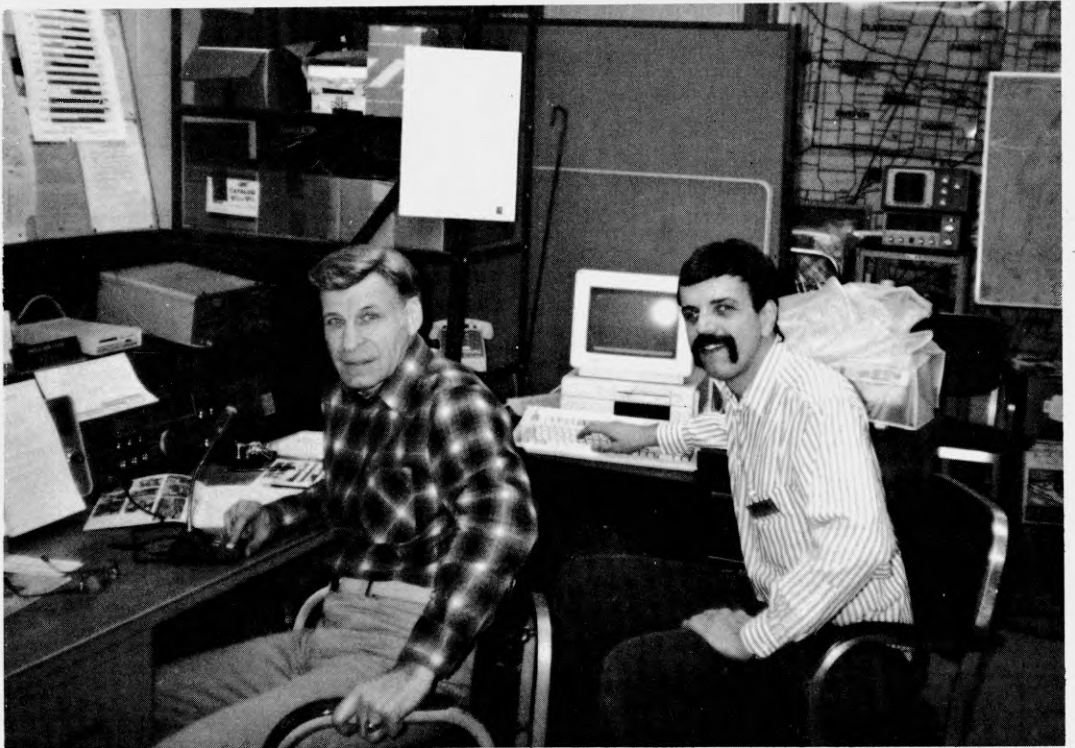
☆☆☆☆☆☆☆☆☆☆☆☆☆☆☆☆☆☆☆☆☆☆☆☆☆☆☆☆☆☆

Advertisement

## SPECIAL EVENT



Irv, AF2K (l) and Chet, WB2MDO (r)



Irv, AF2K (l) and Dave, KE2GE (r)

# THE AMATEUR'S CODE

## ONE

*The Amateur is Considerate ...* He never knowingly uses the air in such a way as to lessen the pleasure of others.

## TWO

*The Amateur is Loyal ...* He offers his loyalty, encouragement and support to his fellow radio amateurs, his local club and to the American Radio Relay League, through which Amateur Radio is represented.

## THREE

*The Amateur is Progressive ...* He keeps his station abreast of science. It is well-built and efficient. His operating practice is above reproach.

## FOUR

*The Amateur is Friendly ...* Slow and patient sending when requested, friendly advice and counsel to the beginner, kindly assistance, cooperation and consideration for the interests of others; these are marks of the amateur spirit.

## FIVE

*The Amateur is Balanced ...* Radio is his hobby. He never allows it to interfere with any of the duties he owes to his home, his job, his school, or his community.

## SIX

*The Amateur is Patriotic ...* His knowledge and his station are always ready for the service of his country and his community.

*Paul M. Segal, ex-W3EEA, W9EEA*

# SEVEN TAKE EXAM AT DECEMBER TEST SESSION

by Bob Fortman, WE2T

Chris Benson, KB2LTW, upgraded from Novice to Technician and 4 others, all unlicensed, became new hams – technician class: Bill Mantelli, Joe Smith, Bill Zaccaria, and Joan Anderson.

Kory Dwyer, who is 12 years old, was unsuccessful, we wish him the best of luck next time.

Just a reminder to all applicants to bring copies as well as the original of their current FCC license and Certs of Successful Completion. Again, the 1992 test fee is \$5.40.

George, AA2FO; Sid, KD2WV; Stan, WM3D and Jim, K2GBR, assisted me and I thank them in the name of the club.

## BATTERY HINTS

Common batteries use ammonium chloride as their electrolyte. This is corrosive and will ruin your equipment if left in for a long period of time. Perhaps you have seen flashlights that have been ruined by battery leakage.

Alkaline batteries are non corrosive by comparison. If a choice is available, protect your equipment from corrosion by using alkaline batteries.

*from Downey ARC QS via LERC ARC Bulletin*

